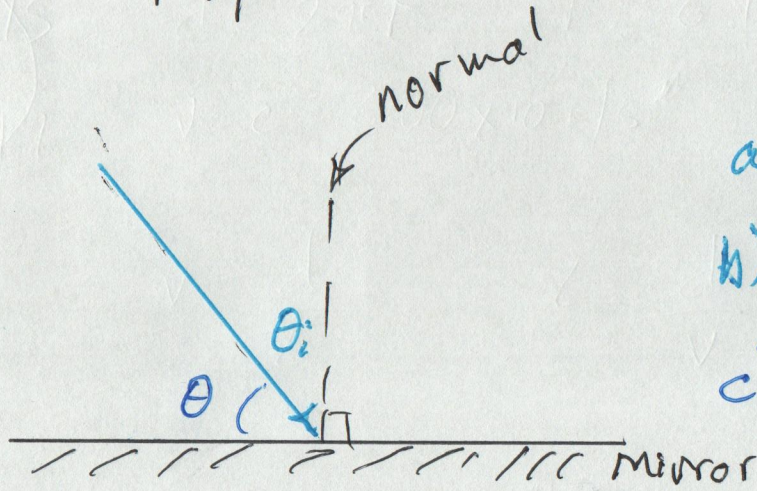


Physics HRHS May 25, 2020

1

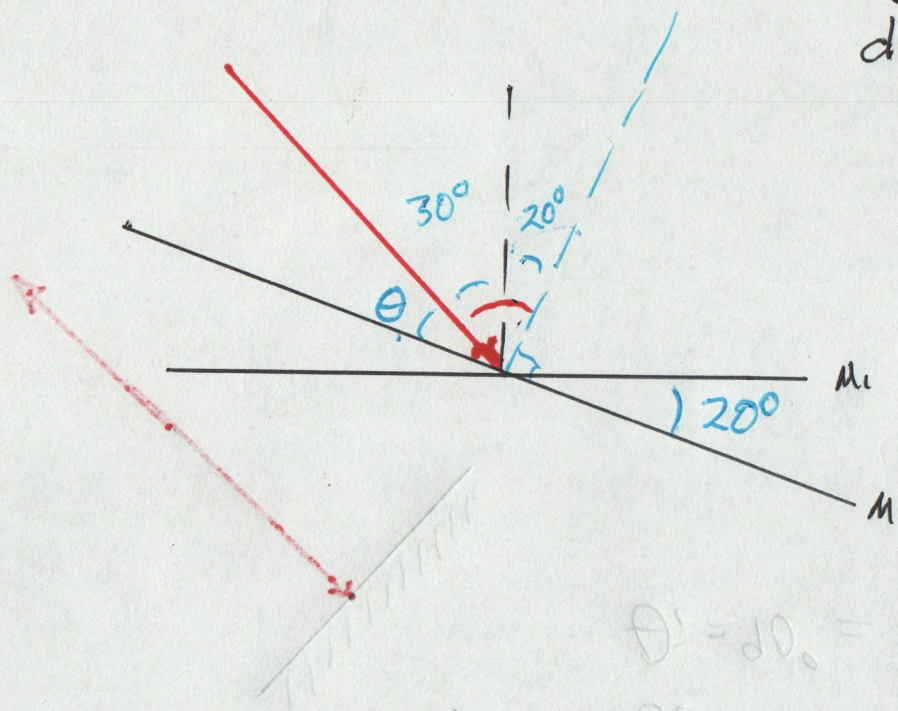


a) $\theta_i = 30^\circ$

b) $\theta = ? \quad \theta = 60^\circ$

c) $\theta_i = 30^\circ + 20^\circ = 50^\circ$
 $\theta_i = 50^\circ$

d) $\theta = 40^\circ$ rightangle



$\theta_i = \theta_r = \theta_i'$
 $\theta_i' = \theta_r'$

Fig 9

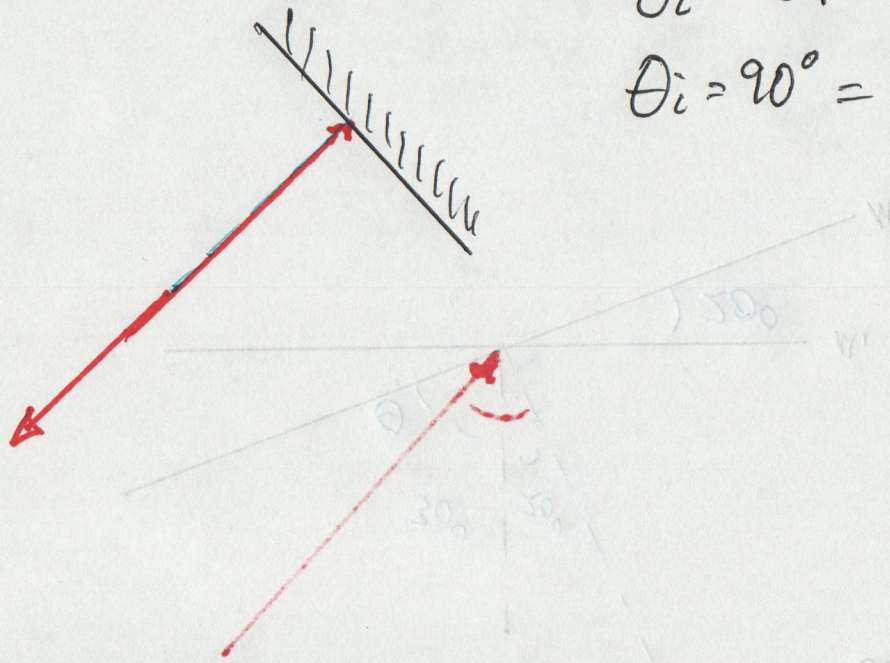
5

P. 47
5

(2)

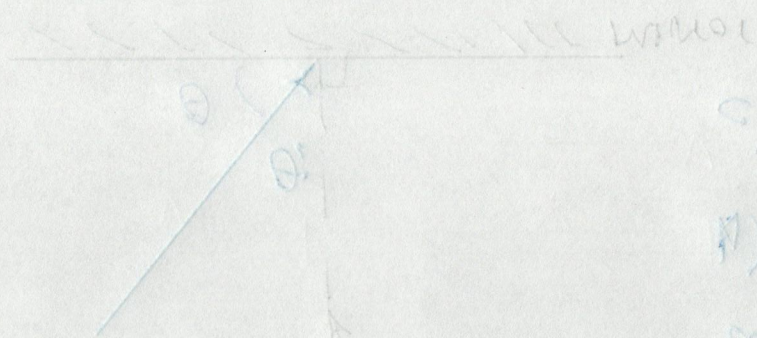
$$\theta_i = \theta_r$$

$$\theta_i = 90^\circ = \theta_r$$



9) $\theta = 110^\circ$

विद्युत्चुम्बकीय



$\theta = 20^\circ$

10) $\theta = 30^\circ + 50^\circ = 20^\circ$

11) $\theta = i \quad \theta = 90^\circ$

12) $\theta = 30^\circ$

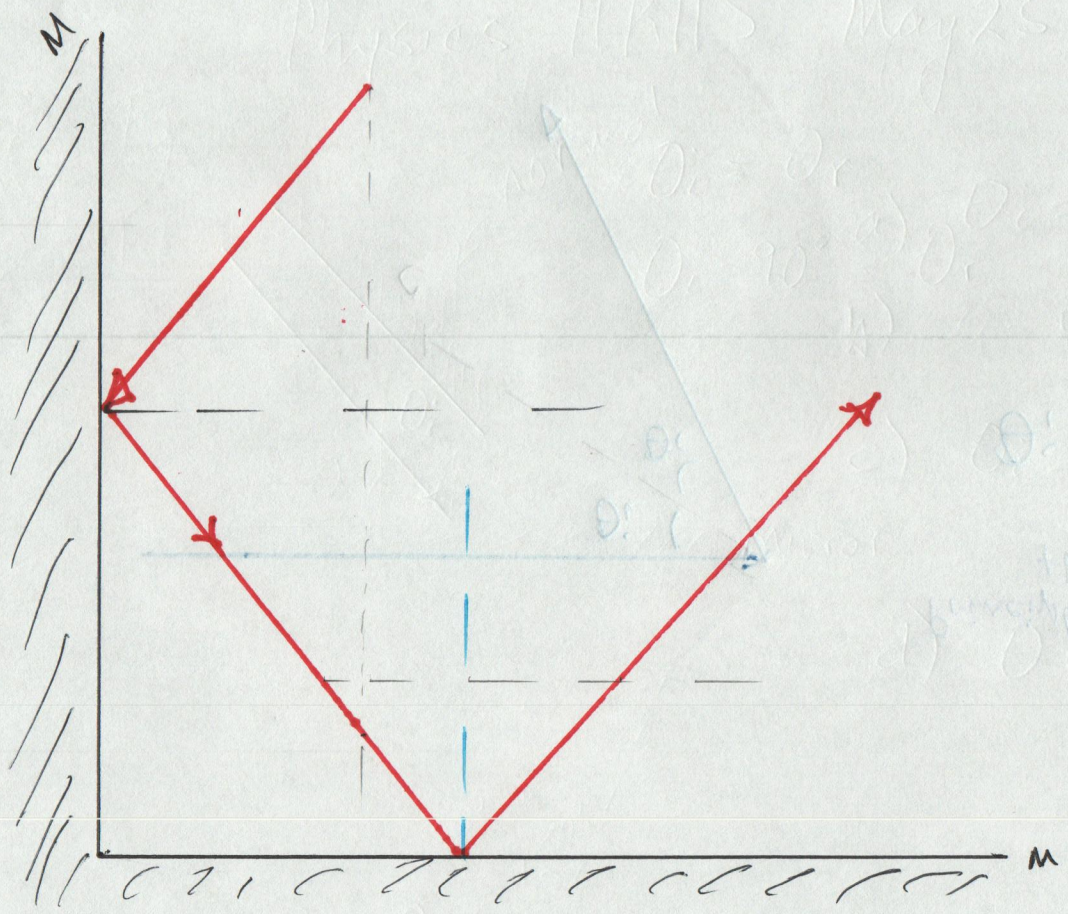
बिम्बित H.V.H.2 वायु 52' 50 50

(1)

P.47
8

Physics HRHS May 25, 2020

3

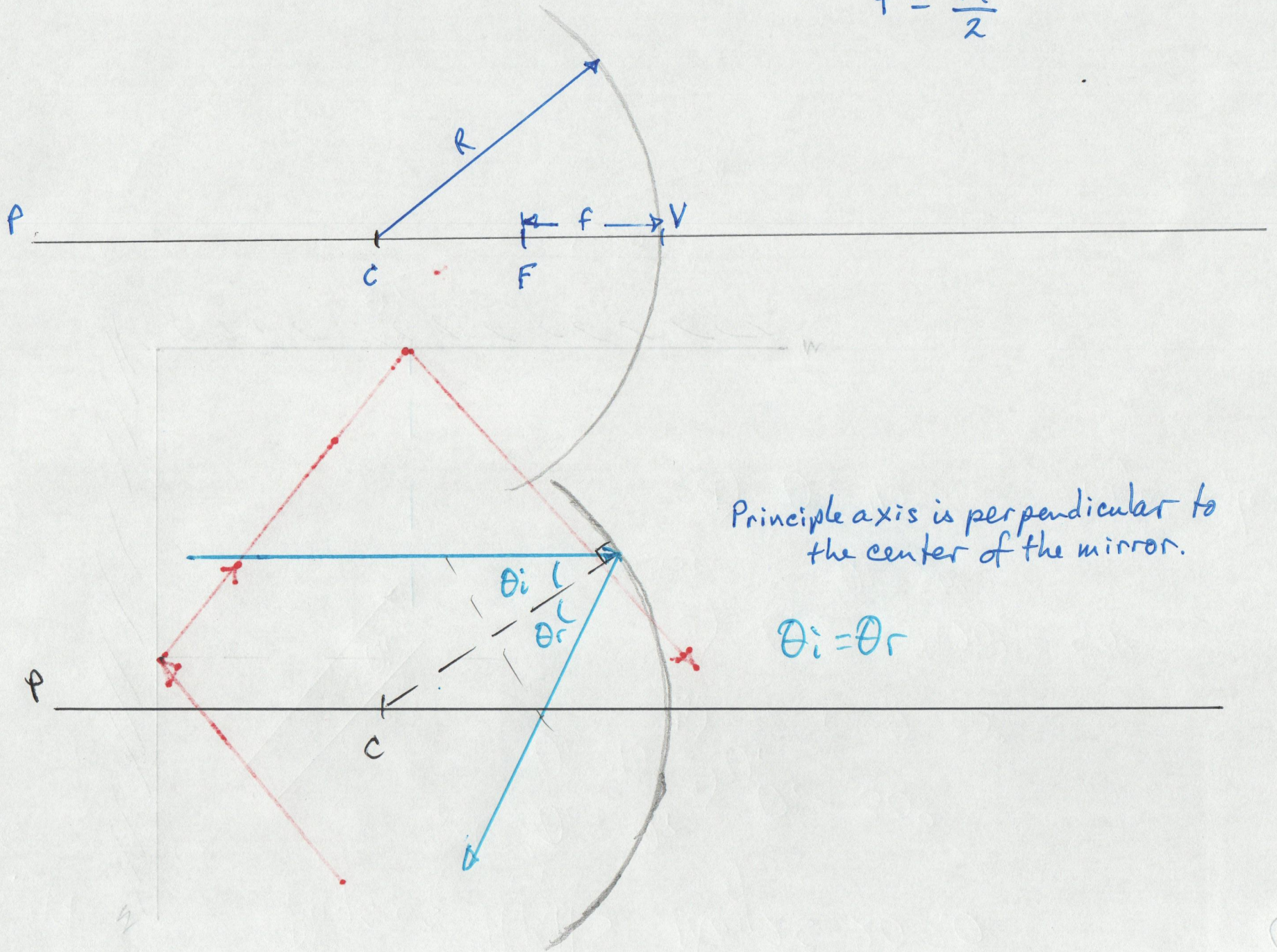


$\theta_i = \theta_r$
 $\theta_i = 30^\circ$
 $\theta_i = 20^\circ$
 $\theta_i = 50^\circ$
The normal of the mirror
is perpendicular to the surface

$$t = \frac{x}{v}$$

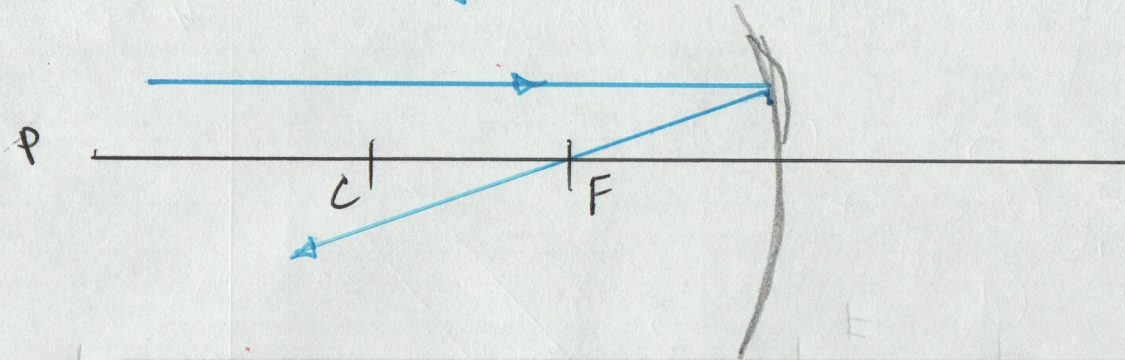
4

$$f = \frac{R}{2}$$



8
b'115

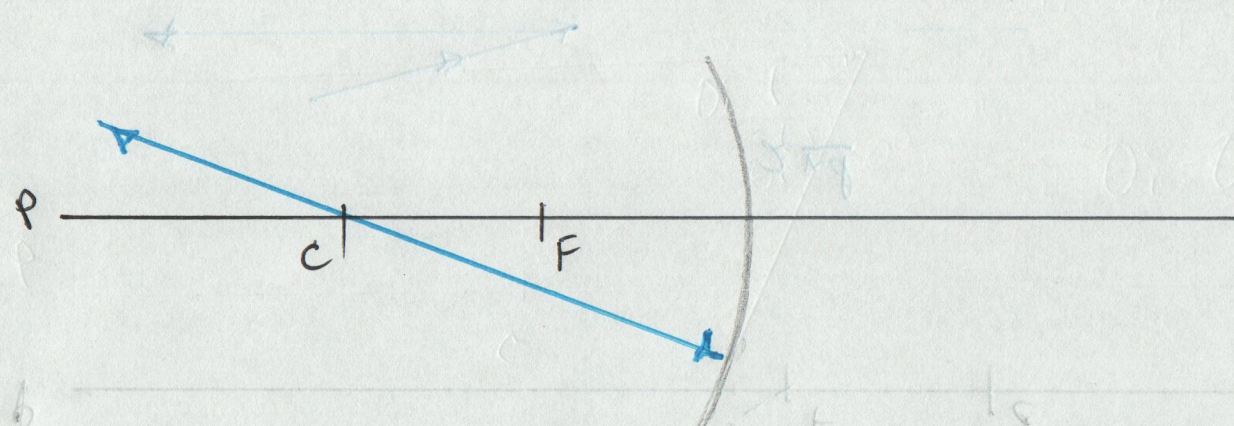
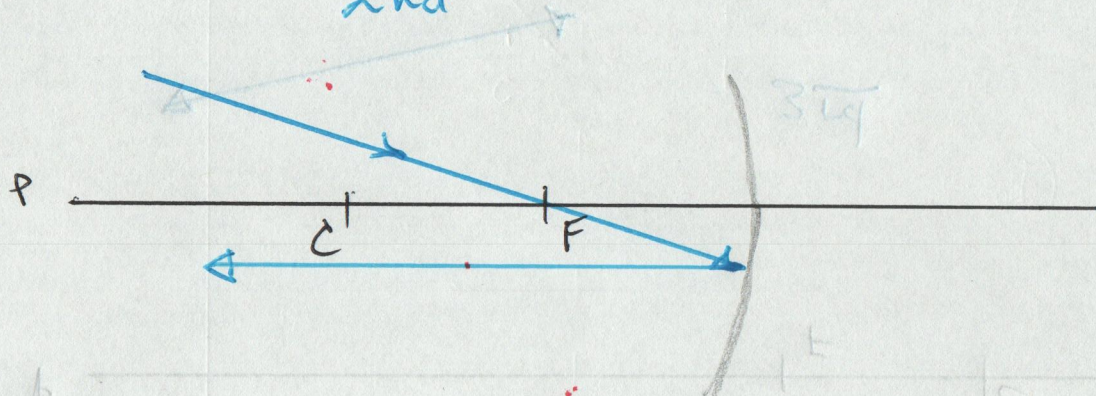
1st Ray



3 principle Rays
of a concave mirror.

5

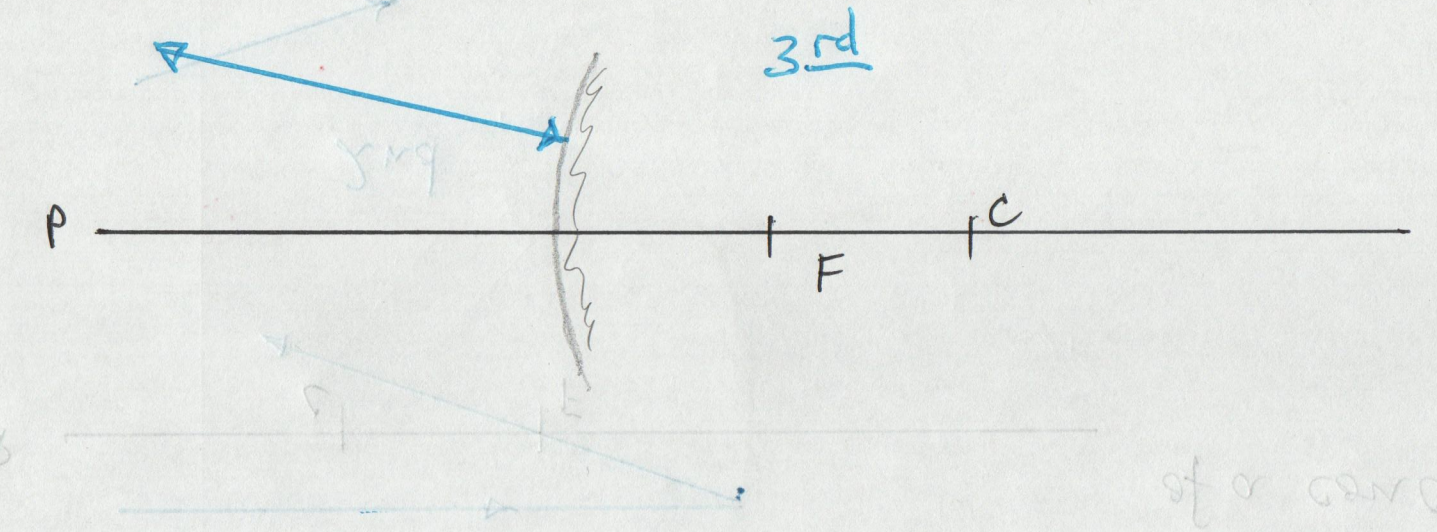
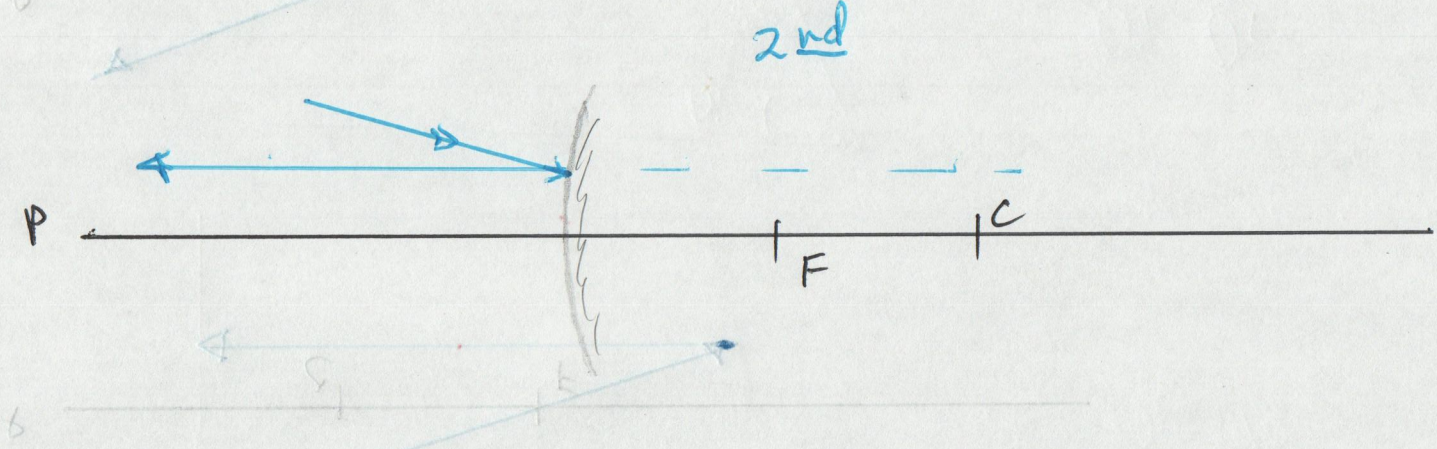
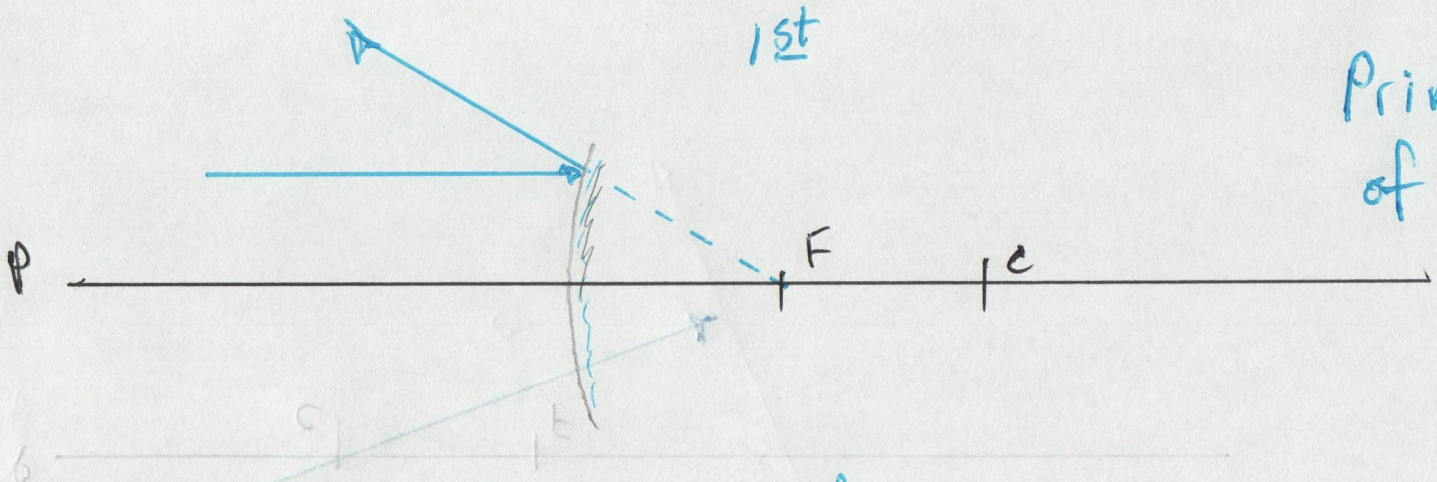
2nd



of convex mirror
behaves same

6

Principle Rays of Convex Mirror



ray 1st

ray 2nd
ray 3rd